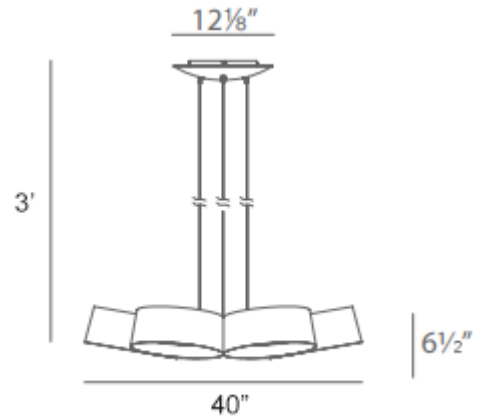


Catalog #		Type
Project		
Comments		Data
Prepared By		



HALO

ORDERING INFORMATION

DZ-PD527	Dia. SIZE	FINISH	CCT	ELECTRICAL	OPTIONS
	40"	1 - White & Gold Finish 2 - Black & Gold Finish	3 - 3000K 4 - 4000K 5 - 5000K 6 - 6000K	1 - 120V 2 - 277V	1 - TRIAC Dim 2 - 0 - 10V

SPECIFICATIONS

DIMENSIONS

Height: 3'
Diameters: Ø40"

FINISH

White (outside) and gold (inside)
Black (outside) and gold (inside)

ELECTRICAL

Input Voltage: 120V
Light Source: Solid State Integral LED
Color Temp. (CCT): 3000K - 6000K
Dimming Type: TRIAC / ELV .
(0-10V available on request)

